



*Fitting
Instructions*

Waters

Baths of Ashbourne

Foreword...

Thank you for purchasing a Waters Free-standing bath, It will give you many years of peaceful relaxation, and we hope you don't just have a bath, you Love your bath...



Seb Waters

Prior to installation

Please ensure that your plumbing system is adequate and that you have sufficient space to complete the installation.

Please Note:

We recommend that you employ a suitably qualified plumbing professional to complete the installation of your new bath. We can not accept responsibility for poor or incorrect installation. Please keep these instructions in a safe place for future reference.

Step 1

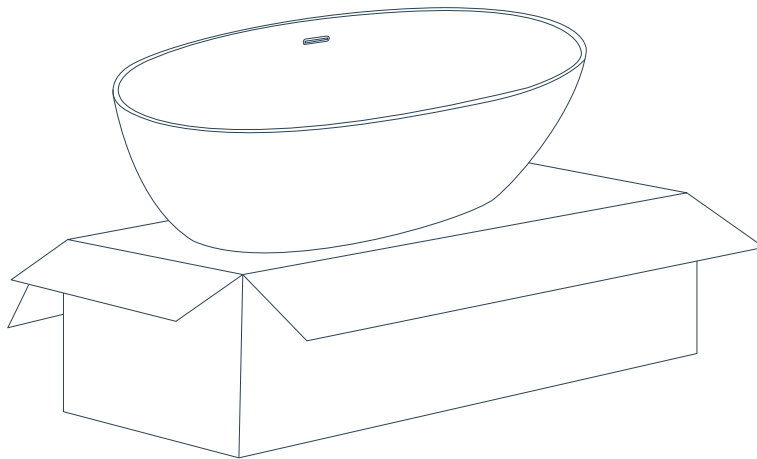
Unpackaging...

Carefully open the box at the top, cutting the banding and taped seam. Do not insert a blade through the cardboard as this may damage the bath inside.

Remove the top cardboard sheet and corner inserts. Leaving the bath fully wrapped remove from the carton. Carefully unwrap all the shrink wrap and foam protection from around the bath. Remove all packaging from the working area although you may find a cardboard sheet useful as installation template.

Leave the internal cellophane sheet inside the bath until installation is complete to avoid any accidental damage

1,



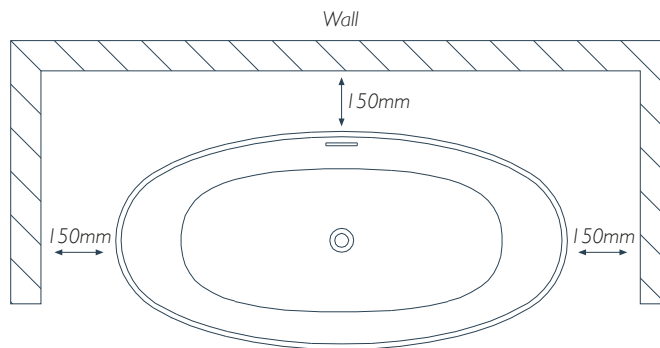
Step 2

Position...

Once unwrapped, carefully check the bath to ensure it is perfect condition before undertaking installation.

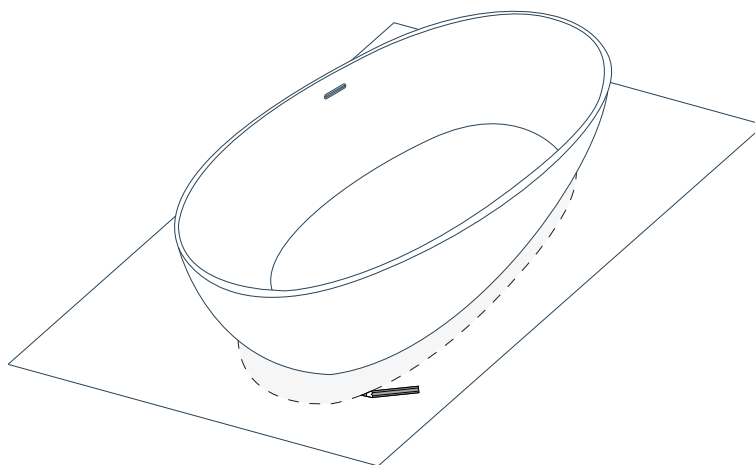
For biggest impact we suggest that bath is located a minimum of 150mm away from any wall

2,



Locate the bath in its intended position and draw around the lower outer edge and mark the waste location with a pencil. Access to the waste and any isolation valves should be considered.

3,



Step 3

Levelling...

With the bath in its intended position use a large spirit level to check that it is level on both the horizontal and vertical planes.

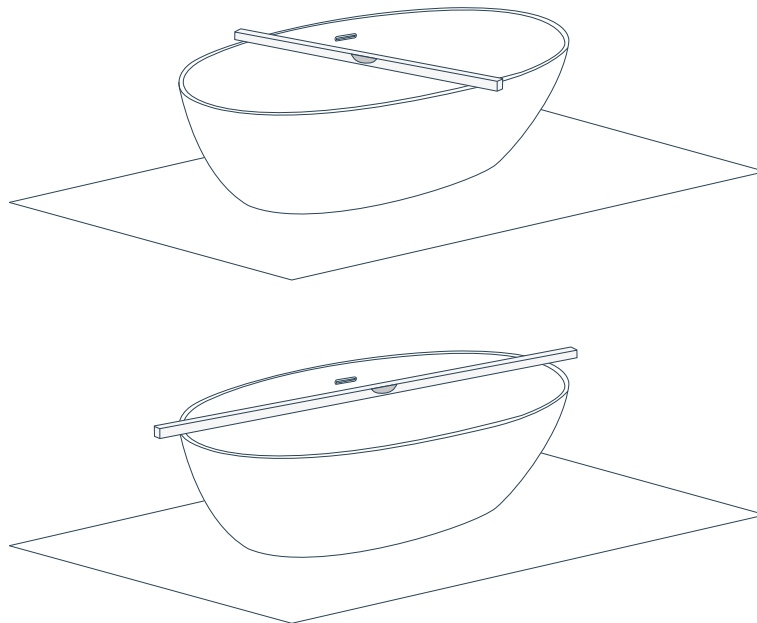
The bath can be adjusted by twisting the four threaded feet. Only if the bath is level will all the water drain to the waste outlet.

Ensure the bath stands evenly at least 1-2mm off the floor to allow for expansion and to create a positive fixing seal.

Once the bath is level, tighten the foot adjustment lock-nuts to ensure no further movement.

Ensure you allow for any variation of the floor surface and that the bath has been levelled in its intended final location.

4,



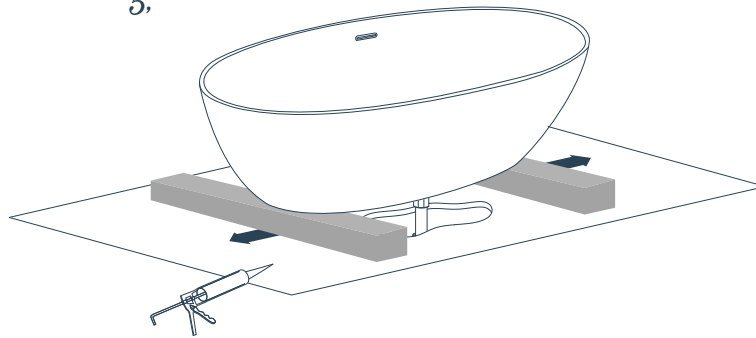
Step 4

Waste...

In most instances the waste will have to be recessed into the floor and connected using a flexible fitting. Once the pipe work is completed and ready to receive the bath we recommend raising the bath on a number of blocks – this will allow working access for you to connect the waste to the underside of the bath.

Once tight add silicone adhesive to the base of each foot, remove the blocks and lower the bath into position, ensuring that the pipe work is not damaged.

5.



Step 5

Fixing...

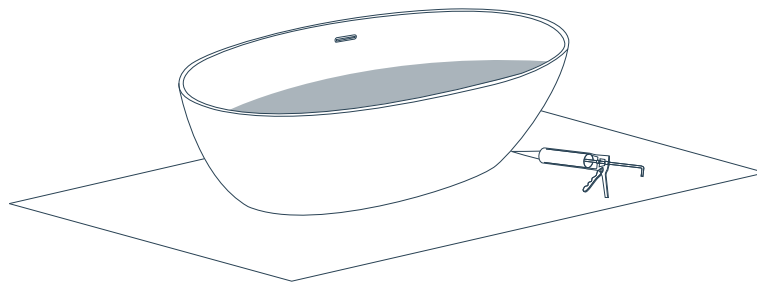
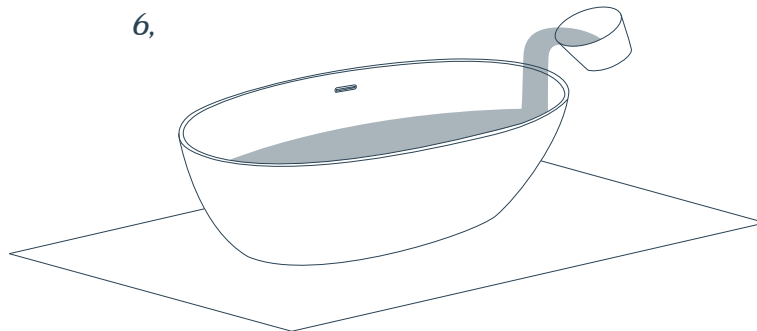
Before final fixing check that the bath is level and connected to the plumbing system, by adding water and ensuring it drains away adequately leaving no puddles and that there are no leaks.

Once checked, half fill the bath to ballast it before securing it to the floor.

Apply silicone adhesive evenly between the base of the bath and the floor filling the 1-2mm gap.

To ensure the best result leave the water in the bath 10 – 12 hours or overnight while the silicone adhesive sets.

6,



10-12 Hours

Care Info

Care Instructions...

To clean your bath use a soft damp cloth and warm soapy water, household bathroom cleaners may also be used – but you should check their suitability before proceeding.

Do not use abrasive scrubbing materials or harsh chemical cleaners as these may permanently damage the bath's surface and finish.

If you do scratch your bath, we recommend using an enamel cleaning agent or car polish (T-Cut), this will help to restore your bath back to a lustre finish.

Warning

Solvents such as paint stripper or nail varnish remover will damage the bath.

Note

A leaking or dripping tap may cause localized damage and dis-colouration. We recommend that taps are repaired promptly to avoid such damage.

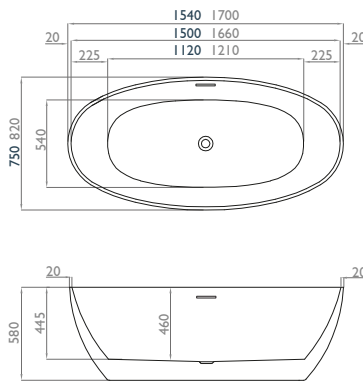
Tech Info

Bath Specification...

i-Line collection...

If you desire the most slender slim-line design, our i-Line range has the bath to excite your senses. Waters Baths of Ashbourne are proud to have combined our expert craftsmanship with the very latest techniques and materials to create a collection of 20mm edged acrylic baths.

Stream 1500mm - 1700mm



Features:

20mm profile edge - freestanding bath with a slimline stainless steel overflow and recessed push lock waste. Manufactured using 100% Lucite™ acrylic material complete with a lifetime guarantee.

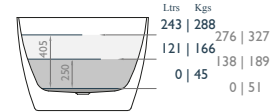
Dimensions:

1540 x 750 x 580mm
1700 x 820 x 580mm
LxWxH

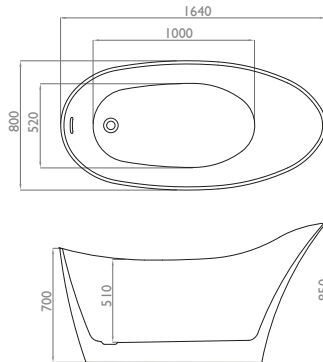
Weights:

Gross 55kg 63kg
Net 45kg 51kg

Fill information:



Wave 1645mm



Features:

20mm profile edge - freestanding bath with a slimline stainless steel overflow and recessed push lock waste. Manufactured using 100% Lucite™ acrylic material complete with a lifetime guarantee.

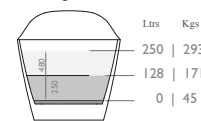
Dimensions:

1645 x 800 x 850mm
LxWxH

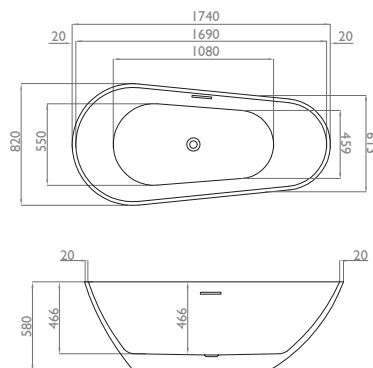
Weights:

Gross 52kg
Net 43kg

Fill information:



Spring 1740mm



Features:

20mm profile edge - freestanding bath with a slimline stainless steel overflow and recessed push lock waste. Manufactured using 100% Lucite™ acrylic material complete with a lifetime guarantee.

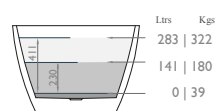
Dimensions:

1740 x 820 x 580mm
LxWxH

Weights:

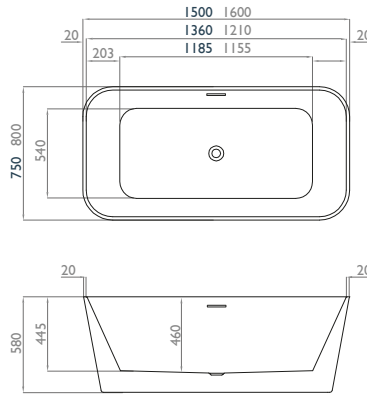
Gross 51kg
Net 39kg

Fill information:



Pool

1500mm - 1600mm



Features:

20mm profile edge - freestanding bath with a slimline stainless steel overflow and recessed push lock waste. Manufactured using 100% Lucite™ acrylic material complete with a lifetime guarantee.

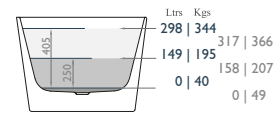
Dimensions:

1500 x 750 x 580mm
1600 x 800 x 580mm
LxWxH

Weights:

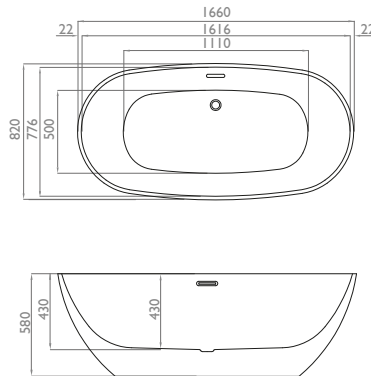
Gross 56kg 60kg
Net 46kg 49kg

Fill information:



Brook²

1660mm



Features:

20mm profile edge - freestanding bath with a slimline stainless steel overflow and recessed push lock waste. Manufactured using 100% Lucite™ acrylic material complete with a lifetime guarantee.

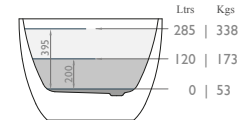
Dimensions:

1660 x 820 x 580mm
LxWxH

Weights:

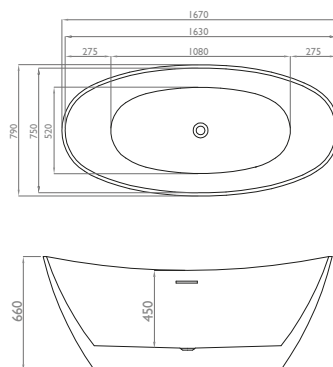
Gross 66kg
Net 53kg

Fill information:



Spa

1670mm



Features:

20mm profile edge - freestanding bath with a slimline stainless steel overflow and recessed push lock waste. Manufactured using 100% Lucite™ acrylic material complete with a lifetime guarantee.

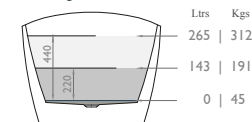
Dimensions:

1670 x 790 x 450/660mm
LxWxH

Weights:

Gross 56kg
Net 48kg

Fill information:

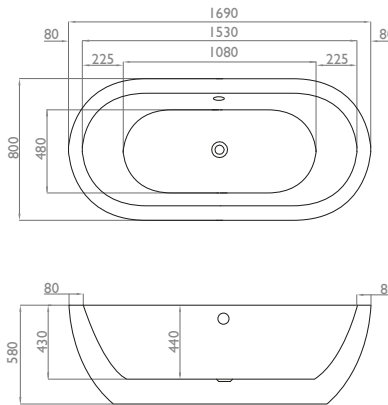


Linear collection...

Created to meet the demands of the most discerning customers, our Linear range features a choice of styles to suit varied yet always impeccable tastes. Whether you prefer seamless curves or something more angular, you'll find a bath that fits the most modern or traditional of bathrooms.

Willow

1690mm



Features:

80mm profile edge - freestanding bath with a chrome twist overflow and recessed pop-up waste.

Manufactured using 100% Lucite™ acrylic material complete with a lifetime guarantee.

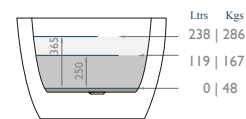
Dimensions:

1690 x 800 x 580mm
LxWxH

Weights:

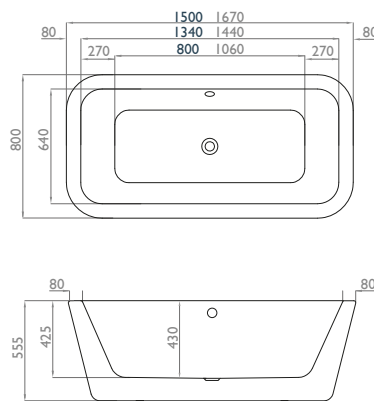
Gross 60kg
Net 48kg

Fill information:



Bracken

1500mm - 1670mm



Features:

80mm profile edge - freestanding bath with a chrome twist overflow and recessed pop-up waste.

Manufactured using 100% Lucite™ acrylic material complete with a lifetime guarantee.

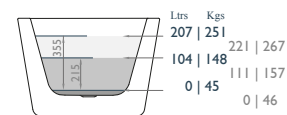
Dimensions:

1500 x 800 x 555mm
1670 x 800 x 555mm
LxWxH

Weights:

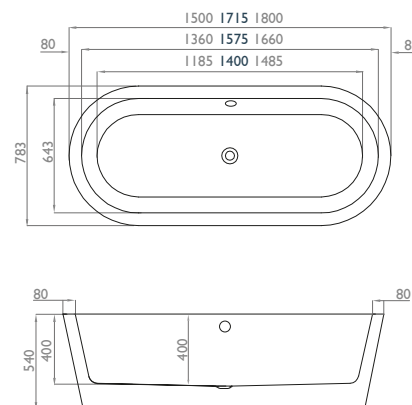
Gross 56kg 59kg
Net 44kg 46kg

Fill information:



Marsh

1500mm - 1715mm - 1800mm



Features:

80mm profile edge - freestanding bath with a chrome twist overflow and recessed pop-up waste.

Manufactured using 100% Lucite™ acrylic material complete with a lifetime guarantee.

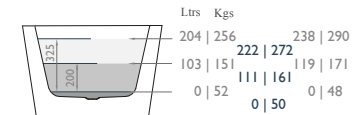
Dimensions:

1500 x 783 x 540mm
1715 x 783 x 540mm
1800 x 783 x 540mm
LxWxH

Weights:

Gross 52kg 58kg 65kg
Net 50kg 56kg 63kg

Fill information:



W
a

www.watersbaths.co.uk

Lawns Farm, Long Lane, Dalbury Lees, Ashbourne, Derbyshire, DE6 5BG.
t: 01332 824166 - e: info@watersbaths.co.uk